



Always be here with you!



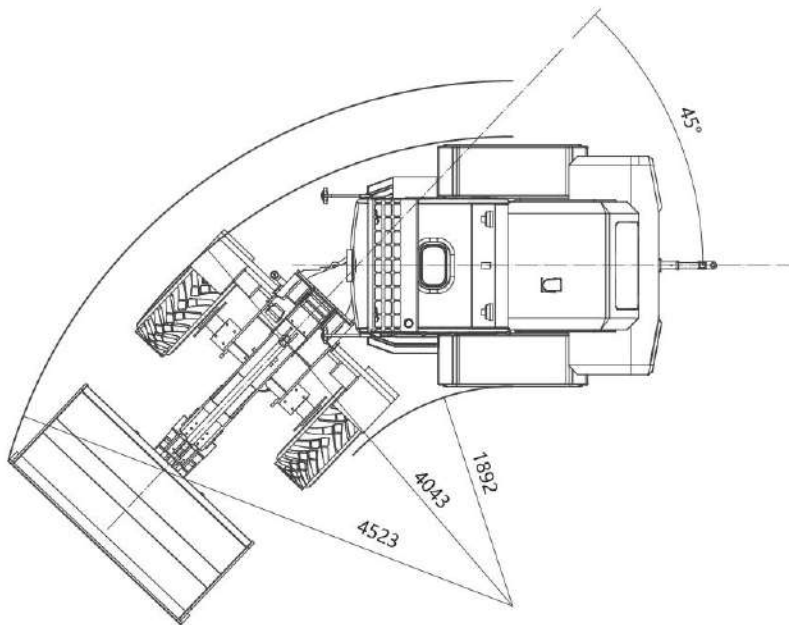
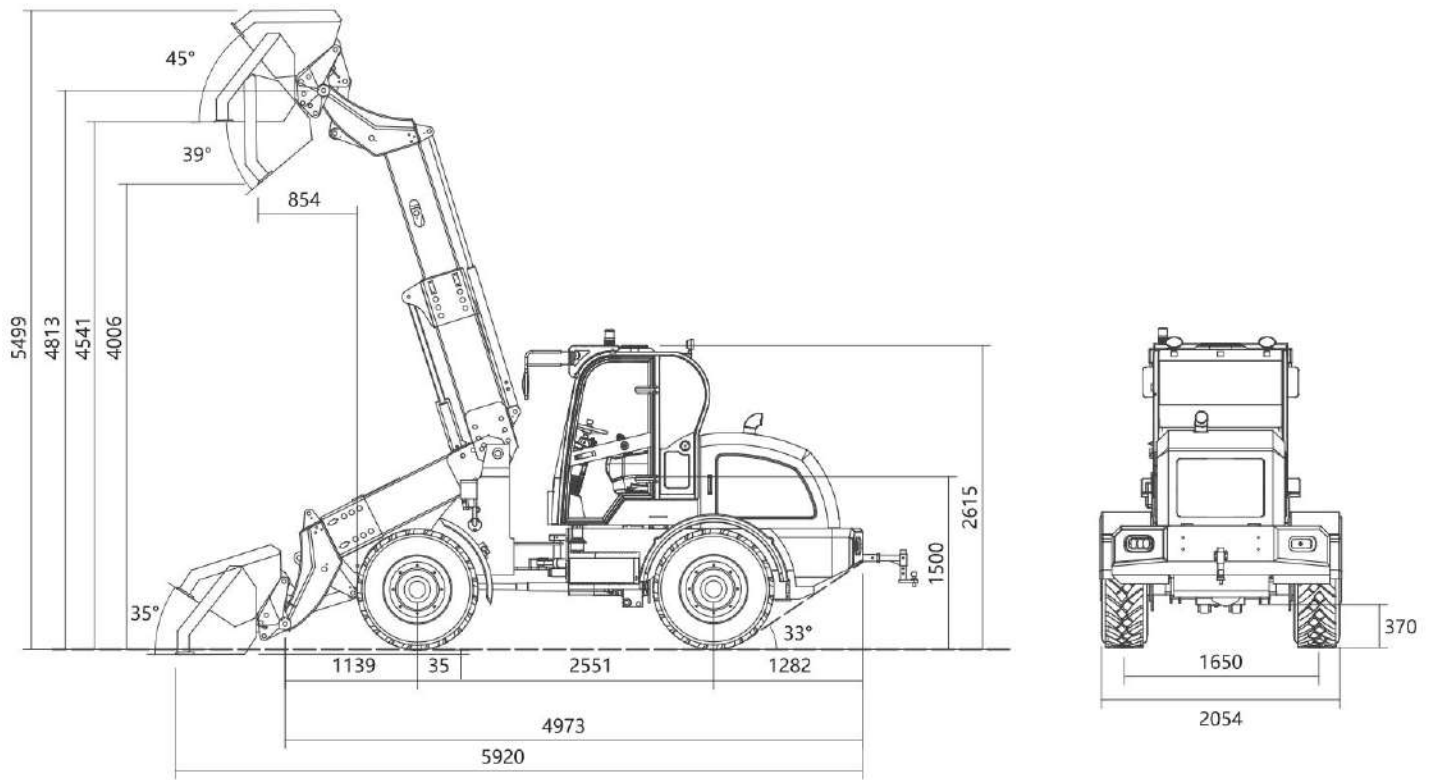
CE

WHEEL LOADER WL825T



Specifications

Bucket Capacity(Cbm):	1.0-1.2
Rated Load(Kg):	2000
Overall Weight(Kg):	5700
Max.Dumping height(mm):	4006
Standard Engine:	CHANGCHAI 4G33
Rated Power(Kw):	70
Rated Speed(R/min):	2400
Wheel Base(mm):	2551
Wheel Thread(mm):	1650
L×W×H (mm):	5920×2054×2615
Standard Tire:	16/70-20



DESCRIPTION

High level of reliability

Through easily accessible maintenance points and timetested and proven components.

Reduced operating costs

Through optimum power to weight ratio and compact dimensions.





QINGDAO ZONGJIN ENGINEERING MACHINERY CO.,LTD.

WOLF (QINGDAO) EQUIPMENT CO.,LTD.



Tel: 0086-532-66739792

Email: info@chinawheelloaders.com

WeChat/Whatsapp: +8613589171650

Address: No.88 Chunyang Rd,Chengyang,Qingdao,China