



Always be here with you!



CE

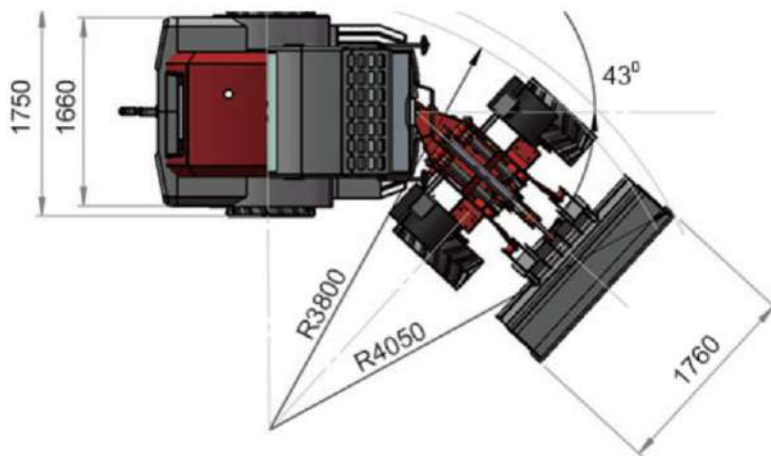
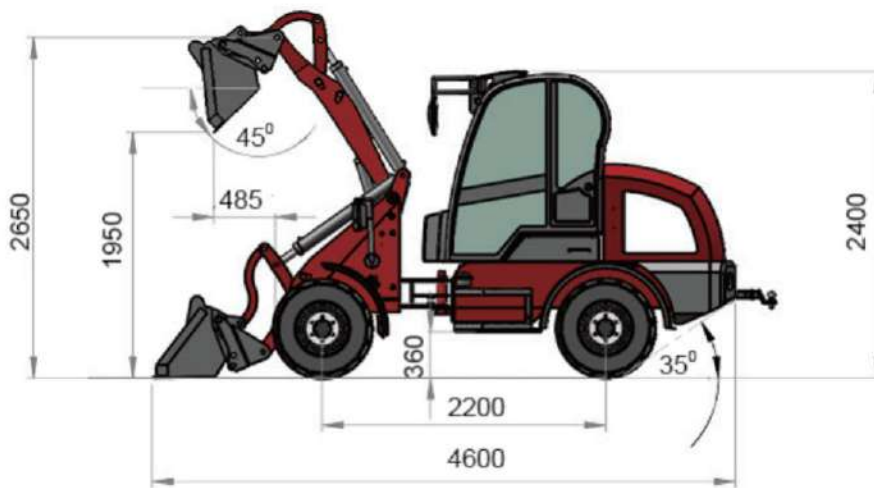
WHEEL LOADER

WL812



Specifications

Bucket Capacity (Cbm):	0.6-0.9
Rated Load (Kg):	1200
Max. Load (Kg):	1400
Overall Weight (Kg):	3500
Max. Dumping Height (mm):	1950
Standard Engine:	CHANGCHAI 490
Rated Power (Kw):	39
Rated Speed (R/Min):	2650
Optional Engine:	XICHAI/YUNNEI/CHANGCHAI/KOHLER
Wheel Base (mm):	2200
Wheel Thread (mm):	1660
L×W×H (mm):	4600×1750×2400
Standard Tire:	20.5-16
Option Tire:	31X15.5-15



DESCRIPTION

Light enough for cost-advantageous transport, small enough to go anywhere.

The WOLF 8-series wheel loaders of the compact class are agile in movement, dynamic in power delivery and slim in design. Their small tail swing radius enables them to work safely in confined areas.

With an optimized power to weight ratio, low shipping weight and continuous high payload, the efficiency calculation with this model series is much in favour of the end user. The economic calculation in any event.





QINGDAO ZONGJIN ENGINEERING MACHINERY CO.,LTD.

WOLF (QINGDAO) EQUIPMENT CO.,LTD.



Tel: 0086-532-66739792

Email: info@chinawheelloaders.com

WeChat/Whatsapp: +8613589171650

Address: No.88 Chunyang Rd,Chengyang,Qingdao,China