

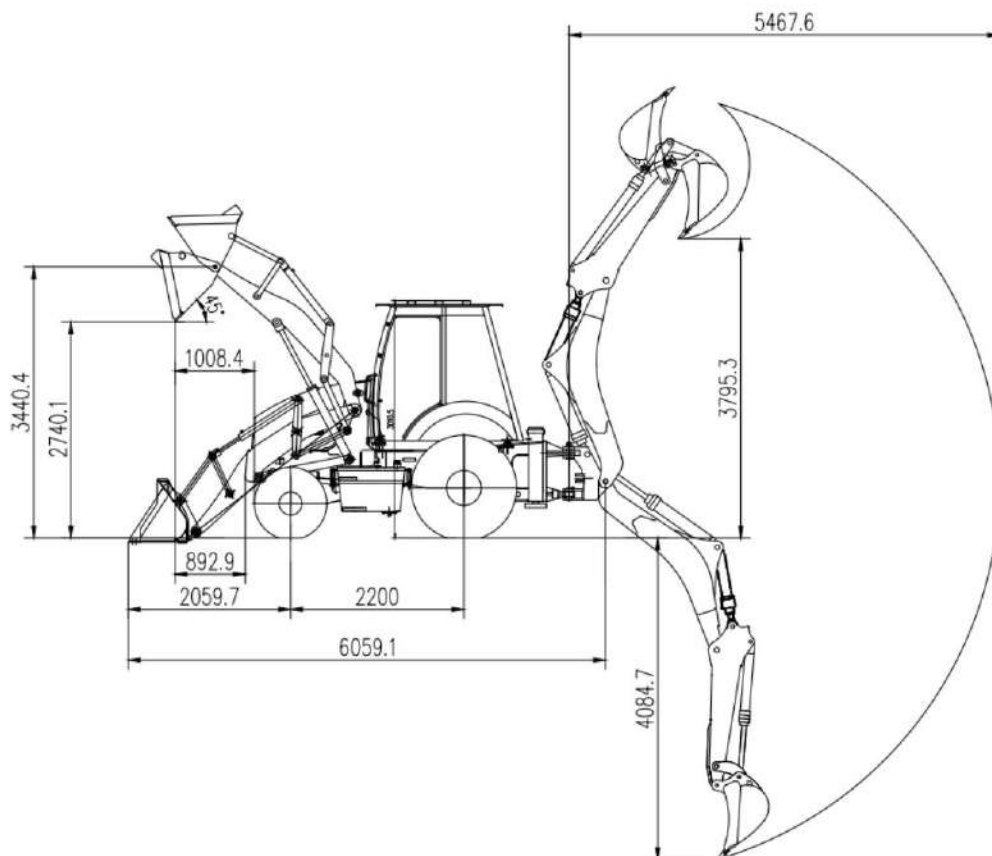


Always be here with you!



CE

BACKHOE LOADER JX4507



Specifications

Transport Dimension

L*W*H (mm)	6100×2217×3764
Overall Operating Weight	8125KG
Wheel base	2200mm
Min. Ground Clearance	300mm
Bucket Capacity	1.0m ³
Breakout Force	38KN
Loading Lifting Capacity	2500KG
Bucket Dumping Height	2742mm
Bucket Dumping Distance	1062mm
Digging Depth	52mm
Backhoe Capacity	0.3m ³
Max. Digging Depth	4082mm
Swing Angle of Excavator Grab	190°
Max. Pulling Force	39KN

Engine

Model	Yuchai YC4A105Z-T20
Cylinder-Inside Diameter*Stroke	4-110×120
Rated Power	75KW
Rated Speed	2400r/min
Min. Fuel Consumption	≤216g/km.h
Max.Torque	≥261.7N.M/1800r/min
Displacement	4.4L

Tyre

Model	14-17.5/19.5L-24
Pressure of Front wheel	0.22 Mpa
Pressure of Back Wheel	0.22 Mpa





QINGDAO ZONGJIN ENGINEERING MACHINERY CO.,LTD.
WOLF (QINGDAO) EQUIPMENT CO.,LTD.



Tel: 0086-532-66739792
Email: info@chinawheelloaders.com
WeChat/Whatsapp: +8613589171650
Address: No.88 Chunyang Rd,Chengyang,Qingdao,China