



*Always be here with you!*



CE

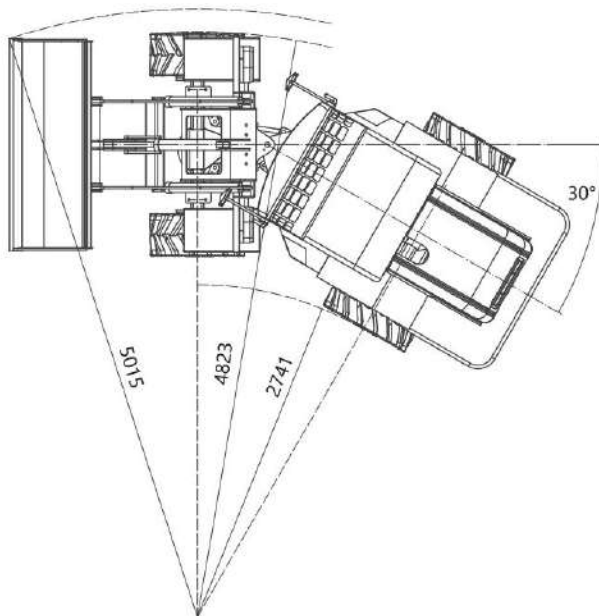
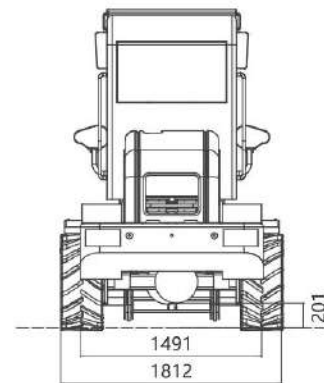
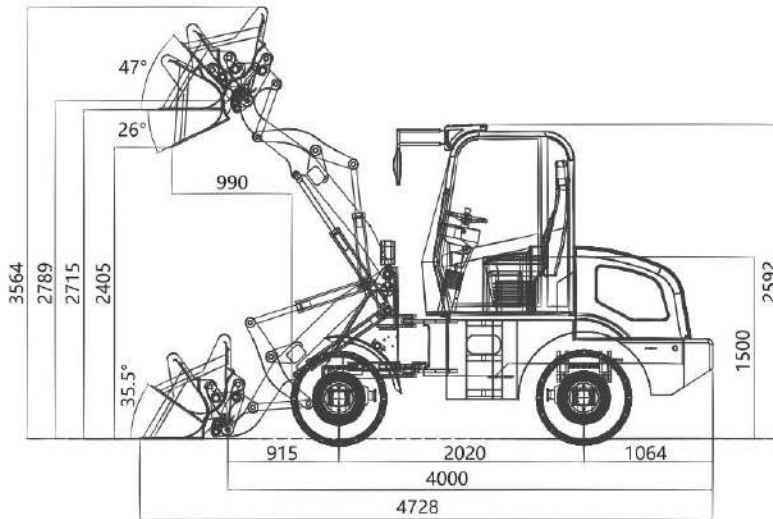
# WHEEL LOADER

## WL100



### Specifications

Engine Model:	CHANGCHAI 490
Rated Power(kw):	39
Rated Speed(rpm):	2400
Rated load(kg):	1000
Rated Bucket Capacity(m3):	0.4-0.6
Overall Size LxWxH(mm):	4728×1812×2592
Wheel base (mm):	2020
Wheel thread(mm):	1491
Max.breakout force (KN):	40
Max.dump height(mm):	2405
Dump distance(mm):	990
Total time(s):	9.5
Operating Weight(kg):	3300
Tyre:	825-16/1200-16/31×15.5-15/20.5-16



## DESCRIPTION

The hydraulic quick couplers can allow operators to change attachments from the comfort of cabin. Additionally, we also provide the options for electronic quick hitch and different types of quick hitches such as Euro style, bobcat and John Deere etc.





QINGDAO ZONGJIN ENGINEERING MACHINERY CO.,LTD.

WOLF (QINGDAO) EQUIPMENT CO.,LTD.



Tel: 0086-532-66739792

Email: [info@chinawheelloaders.com](mailto:info@chinawheelloaders.com)

WeChat/Whatsapp: +8613589171650

Address: No.88 Chunyang Rd,Chengyang,Qingdao,China