



Always be here with you!



CE

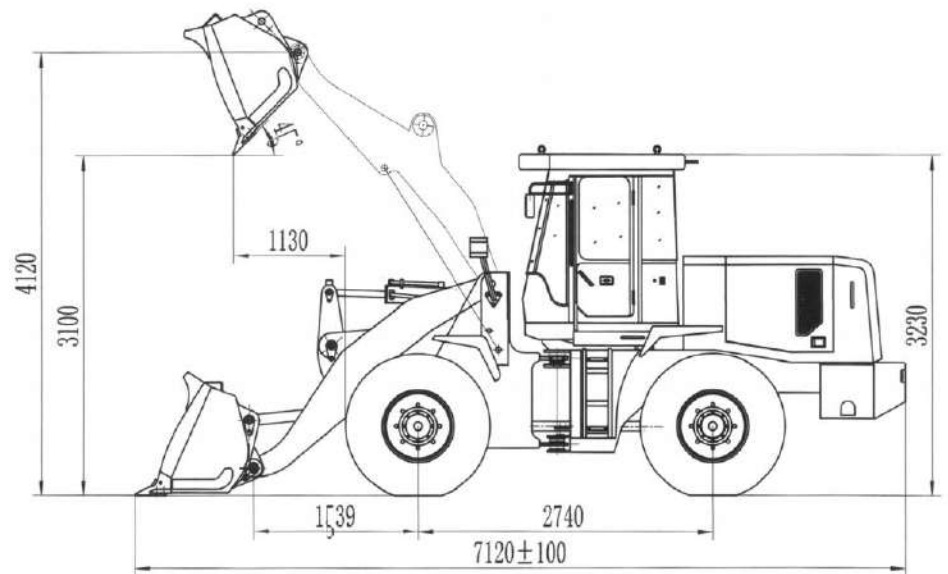
WHEEL LOADER

WL300



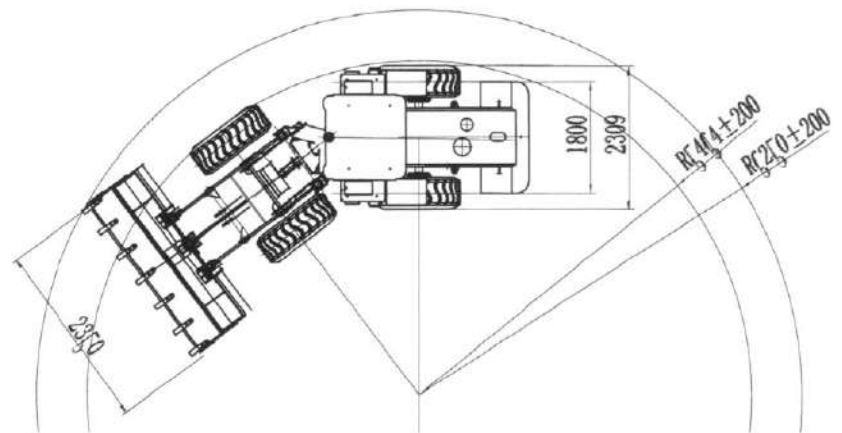
Specifications

Engine Model:	WEICHAI WP6G
Rated Power(kw):	92
Rated Speed(rpm):	2200
Rated load(kg):	3000
Rated Bucket Capacity(m ³):	1.7-2.5
Overall Size LxWxH(mm):	7120×2309×3230
Wheel base (mm):	2740
Wheel thread(mm):	1800
Max.breakout force (KN):	127
Max.dump height(mm):	3100
Dump distance(mm):	1130
Total time(s):	9.15
Operating Weight(kg):	10000
Tyre:	17.5-25



DESCRIPTION

- Ventilation window with different opening angles for fresh air circulation as needed
- Wide door opening and step geometry for safe and convenient entry
- Spacious interior with ergonomic operator's controls





QINGDAO ZONGJIN ENGINEERING MACHINERY CO.,LTD.

WOLF (QINGDAO) EQUIPMENT CO.,LTD.



Tel: 0086-532-66739792

Email: info@chinawheelloaders.com

WeChat/Whatsapp: +8613589171650

Address: No.88 Chunyang Rd,Chengyang,Qingdao,China