

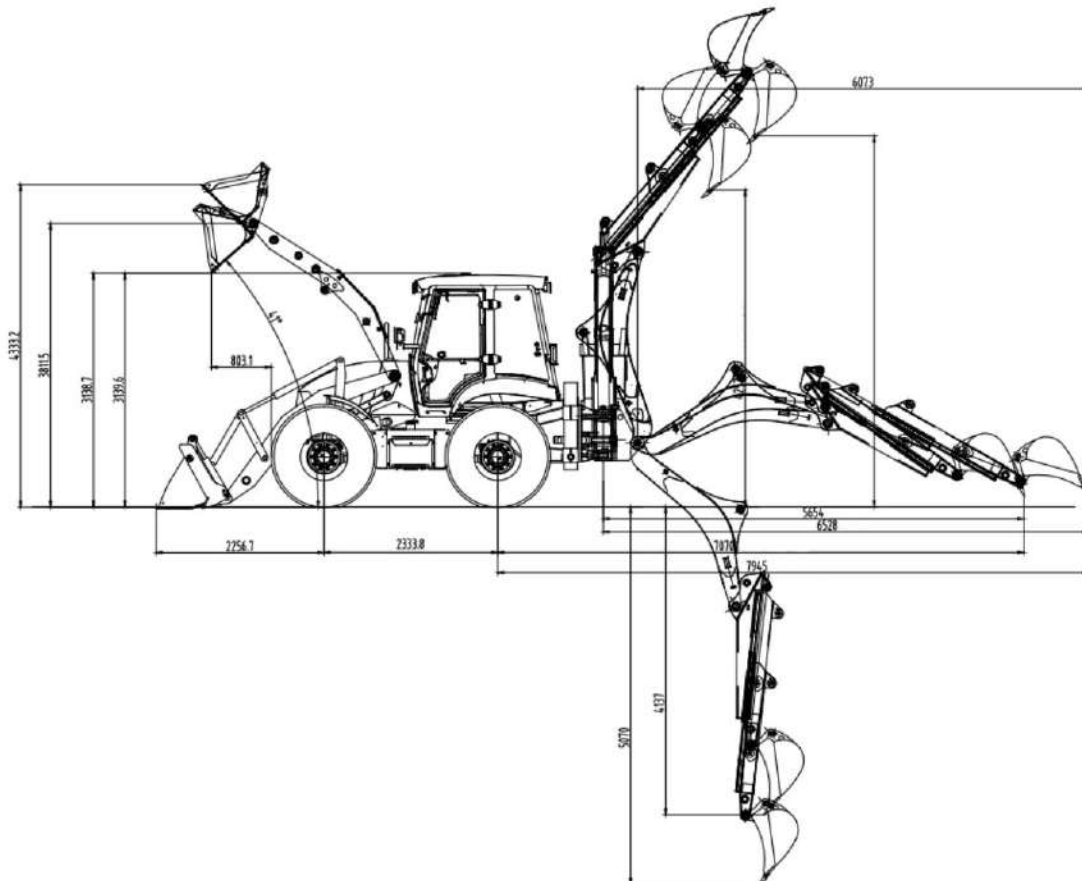


Always be here with you!



CE

BACKHOE LOADER JX45H



Specifications

Transport Dimension

L*W*H (mm)	6100×2217×3764
Overall Operating Weight	9500KG
Wheel base	2335mm
Bucket Capacity	1.2m ³
Breakout Force	54KN
Loading Lifting Capacity	2500KG
Bucket Dumping Height	3100mm
Bucket Dumping Distance	900mm
Digging Depth	4050/mmBackhoe Capacity 0.3m ³
Max. Digging Depth	5100mm
Swing Angle of Excavator Grab	190°

Engine

Model	YUCHAI YC4A105Z-T20
Cylinder-Inside Diameter*Stroke	4-102*120
Rated Power	75KW
Rated Speed	2200r/min
Min. Fuel Consumption	≤242g/km.h
Max.Torque	≥410N.M
Displacement	4.8L

Tyre

Model	16.9-28
Pressure of Front wheel	0.35Mpa
Pressure of Back Wheel	0.45Mpa





QINGDAO ZONGJIN ENGINEERING MACHINERY CO.,LTD.

WOLF (QINGDAO) EQUIPMENT CO.,LTD.



Tel: 0086-532-66739792

Email: info@chinawheelloaders.com

WeChat/Whatsapp: +8613589171650

Address: No.88 Chunyang Rd,Chengyang,Qingdao,China