



Always be here with you!



CE

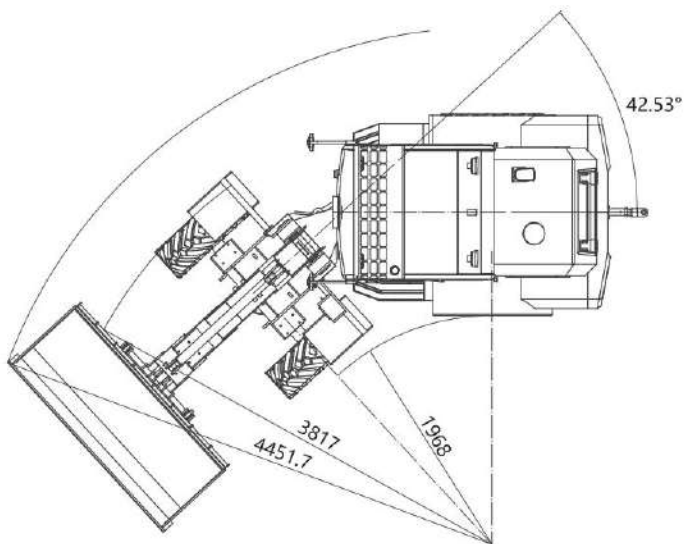
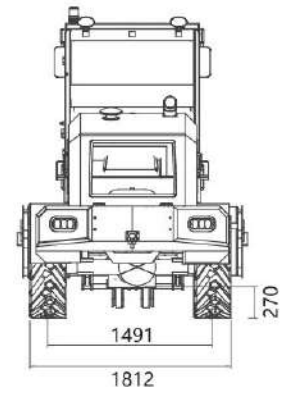
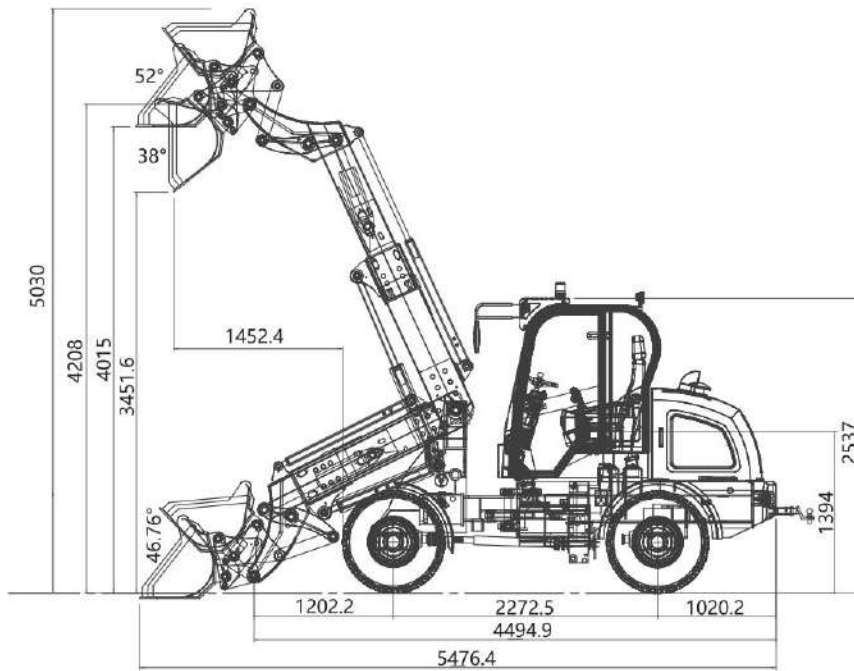
WHEEL LOADER

WL816T



Specifications

Bucket Capacity (Cbm):	0.8-0.9
Rated Load (Kg):	1600
Overall Weight (Kg):	3900
Max.Dumping height (mm):	3451
Standard Engine:	XIN CHAI A498BT1 E3
Rated Power (Kw):	36.8
Rated Speed (R/min):	2650
Wheel Base (mm):	2272.5
Wheel Thread (mm):	1491
L×W×H (mm):	5476×1812×2537
Standard tire:	20.5/70-16
Option Tire:	33×15.5-16.5



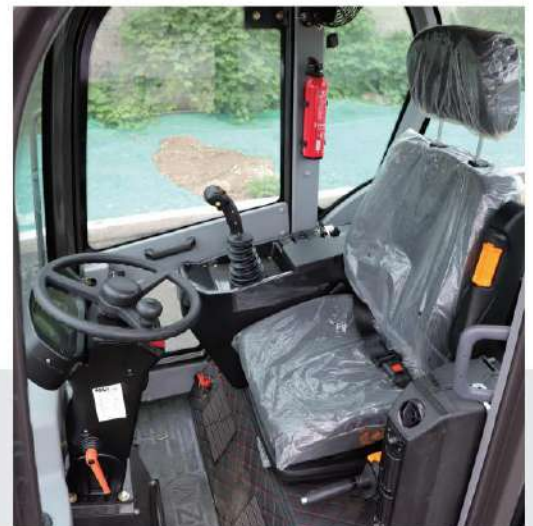
DESCRIPTION

More reach and lift height

Due to a telescoping loading system

Fatigue-free working

Thanks to the spacious and ergonomic comfort cab





QINGDAO ZONGJIN ENGINEERING MACHINERY CO.,LTD.
WOLF (QINGDAO) EQUIPMENT CO.,LTD.



Tel: 0086-532-66739792

Email: info@chinawheelloaders.com

WeChat/Whatsapp: +8613589171650

Address: No.88 Chunyang Rd,Chengyang,Qingdao,China