



Always be here with you!



CE

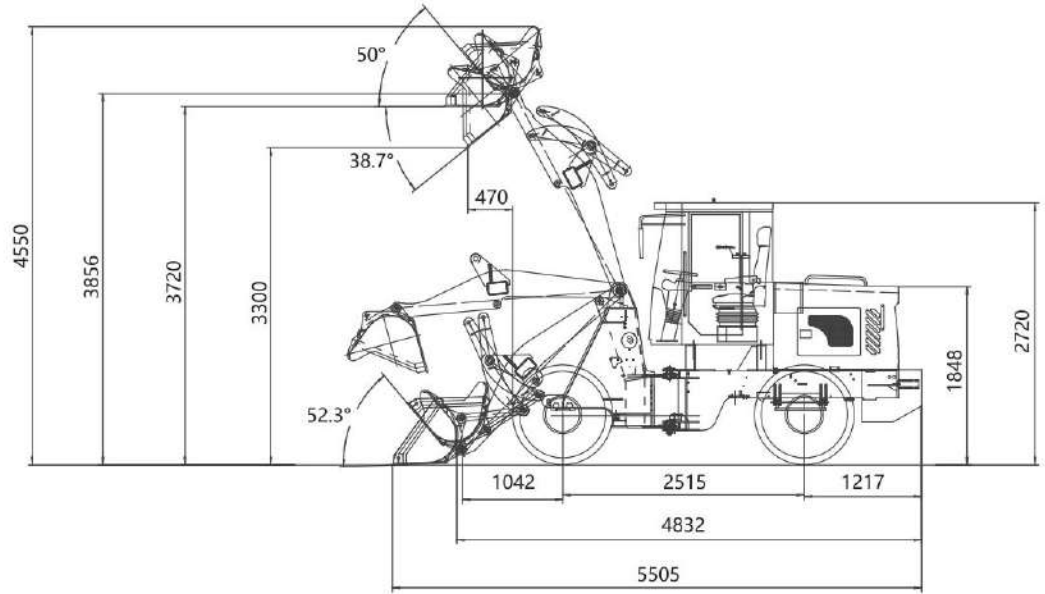
WHEEL LOADER

WL180



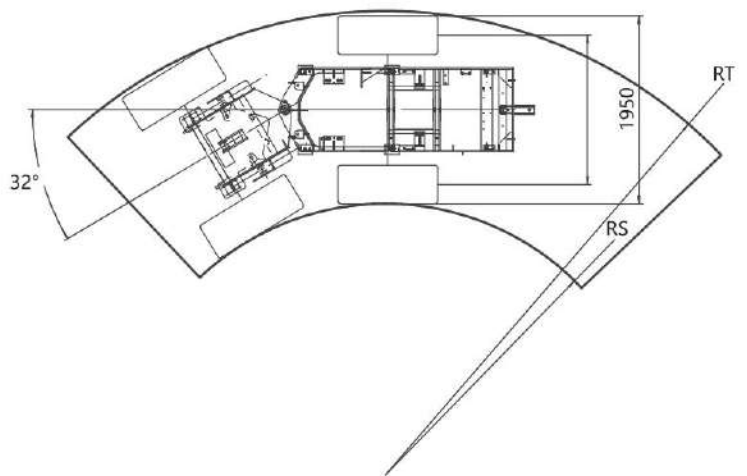
Specifications

Engine Model:	CHANGCHAI 4G33
Rated Power(kw):	70
Rated Speed(rpm):	2400
Rated load(kg):	1800
Rated Bucket Capacity(m3):	0.8-1.1
Overall Size LxWxH(mm):	5505×1950×2720
Wheel base (mm):	2515
Wheel thread(mm):	1490
Max.breakout force (KN):	72
Max.dump height(mm):	3300
Dump distance(mm):	470
Total time(s):	11.3
Operating Weight(kg):	4800
Tyre:	23.5-16 16/70-20



DESCRIPTION

Blades, buckets, and pushers make these loaders natural for removing whatever winter drops your way.





QINGDAO ZONGJIN ENGINEERING MACHINERY CO.,LTD.
WOLF (QINGDAO) EQUIPMENT CO.,LTD.



Tel: 0086-532-66739792

Email: info@chinawheelloaders.com

WeChat/Whatsapp: +8613589171650

Address: No.88 Chunyang Rd,Chengyang,Qingdao,China