



Always be here with you!



CE

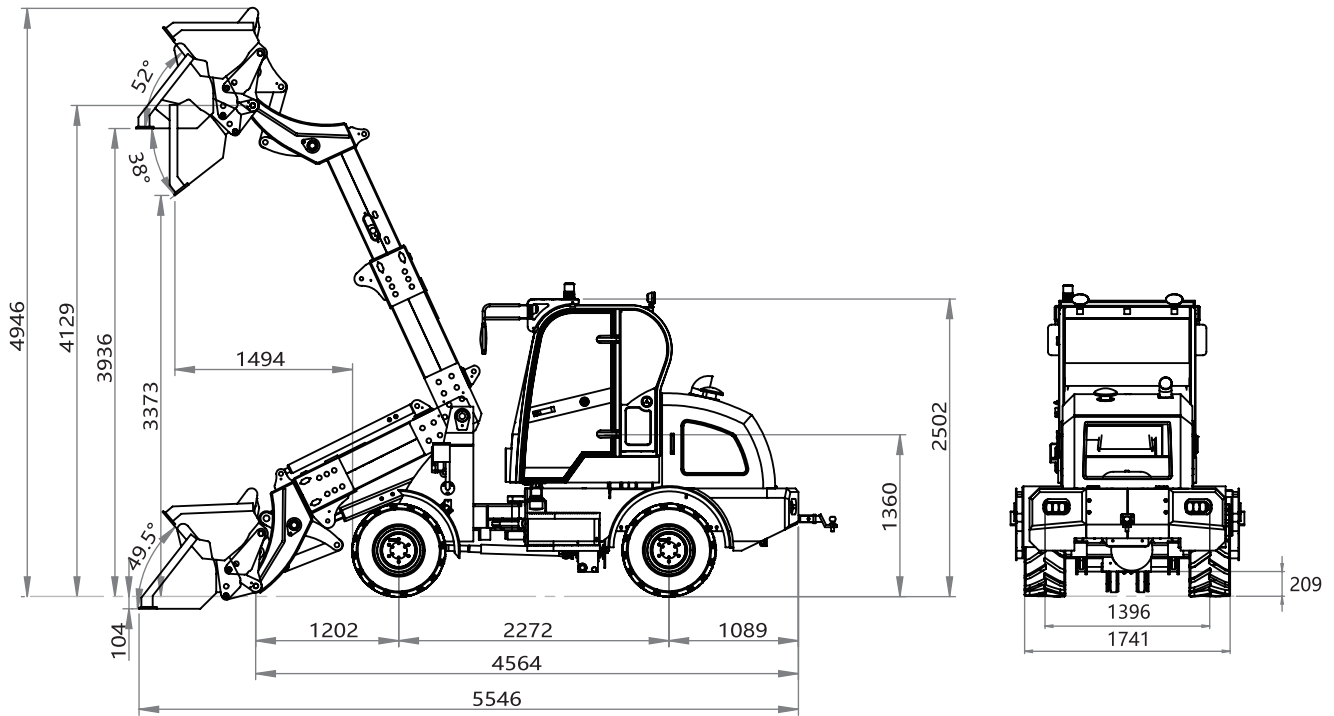
WHEEL LOADER

WL812T



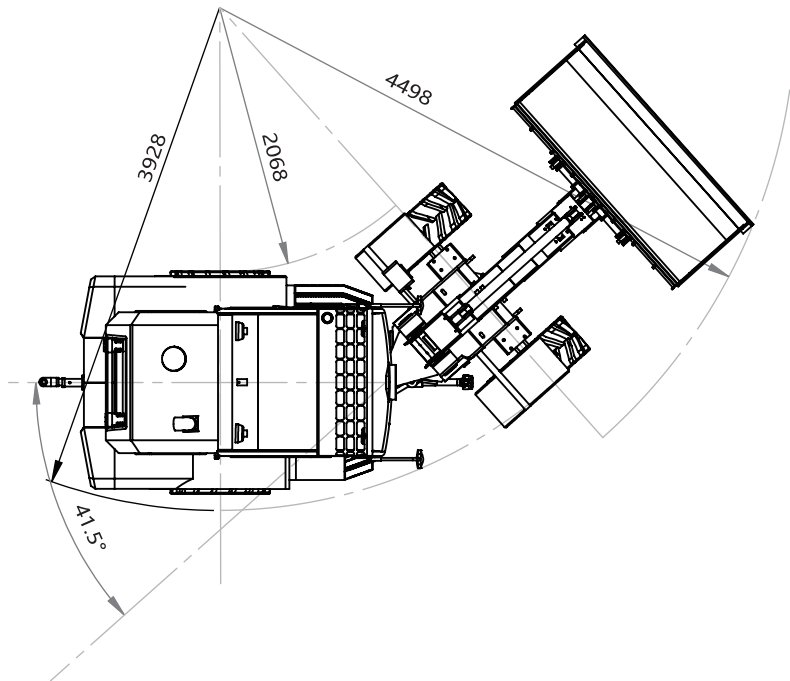
Specifications

Engine Model:	Changchai 490
Rated Power(kw):	39kw
Rated Speed(rpm):	2650
Rated load(kg):	1200
Rated Bucket Capacity(m ³):	0.6-0.9
Overall Size LxWxH(mm):	5546×1741×2502
Wheel base (mm):	2272
Wheel thread(mm):	1396
Max.dump height(mm):	3373
Standard Tire:	20.5-16
Optional Tire:	31×15.5-15
Operating Weight(kg) :	3500



DESCRIPTION

WL812T is a telescopic loader based on WL812. Flexible turn angle design makes you turn the loader easily even in the narrow and hard road. In the luxury cabin, big room and complete wind screen glass provide operator with excellent view. Adjustment dashboard will help operator drive better.





QINGDAO ZONGJIN ENGINEERING MACHINERY CO.,LTD.

WOLF (QINGDAO) EQUIPMENT CO.,LTD.



Tel: 0086-532-66739792

Email: info@chinawheelloaders.com

WeChat/Whatsapp: +8613589171650

Address: No.88 Chunyang Rd,Chengyang,Qingdao,China