



Always be here with you!



CE

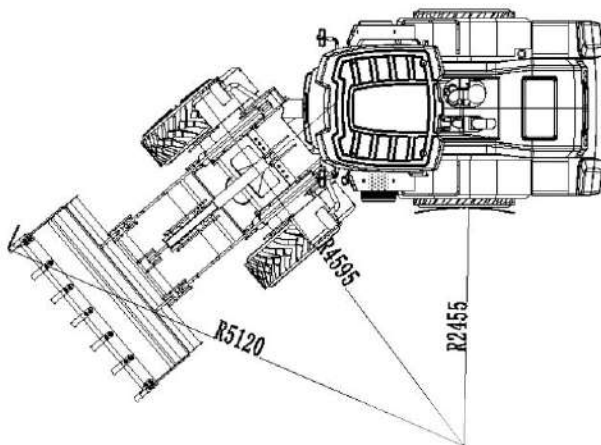
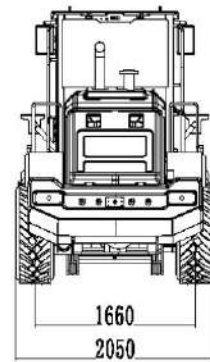
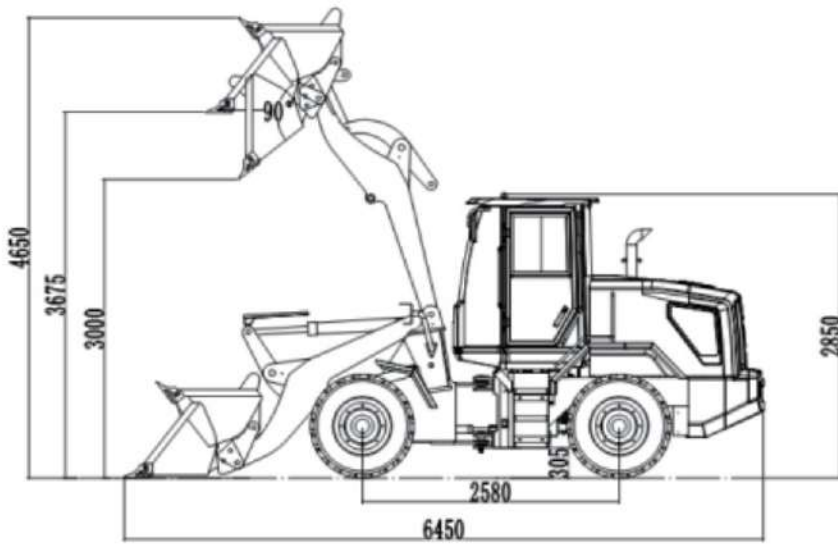
WHEEL LOADER

WL926



Specifications

| | |
|--------------------------|----------------|
| Bucket Capacity(Cbm): | 1-1.2 |
| Rated Load(Kg): | 2500 |
| Overall Weight(Kg): | 5500 |
| Max. Dumping Height(mm): | 3000 |
| Standard Engine: | Changchai 4G33 |
| Rated Power(Kw): | 70 |
| Rated Speed(R/Min): | 2400 |
| Optional Engine: | Cummins |
| Wheel Base(mm): | 2580 |
| Wheel Thread(mm): | 1660 |
| L×W×H (mm): | 6450×2050×2850 |
| Standard Tire: | 16/70-20 |



DESCRIPTION

Powerful Loading, Efficient Operation - WL926 Loader makes your work easier. Designed specifically for agriculture, construction, and other industries, the WL926 loader is your most reliable partner.

Built with a more solid frame structure, the WL926 loader performs exceptionally well under heavy-duty operations. It can withstand challenging work conditions and environments, ensuring reliable and long-lasting performance.





QINGDAO ZONGJIN ENGINEERING MACHINERY CO.,LTD.

WOLF (QINGDAO) EQUIPMENT CO.,LTD.



Tel: 0086-532-66739792

Email: info@chinawheelloaders.com

WeChat/Whatsapp: +8613589171650

Address: No.88 Chunyang Rd,Chengyang,Qingdao,China